

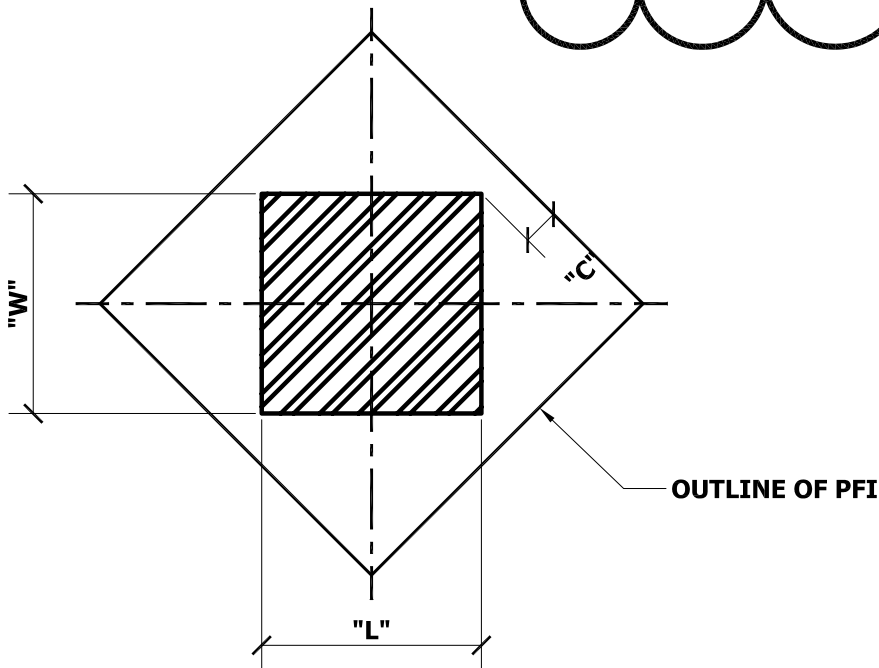
INFORMATION NEEDED TO SIZE "SQ" POCKET FORM ISOLATOR...

Project Name _____

"SQ" INDICATES SQUARE

NOTE: THIS DETAIL ONLY APPLIES IN THE CASES OF CONCENTRICALLY POSITIONED BASE PLATES. OFFSETS PRESENT A NEW SET OF CIRCUMSTANCES TO CONSIDER!

"L"	_____
"W"	_____
"C"	_____
DEPTH	_____
COUNT	_____



**PLEASE FURNISH THE FOLLOWING INFORMATION:
"L" & "W" DIMENSIONS AS INDICATED ABOVE.
PLEASE ALSO PROVIDE "C" CORNER CLEARANCE REQ'd.
PLEASE ALSO FURNISH DEPTH (HEIGHT) OF REQ'd. UNIT.
PLEASE ALSO FURNISH COUNT OF UNITS REQUIRED.**